

# HP Designjet 10000s Printer series

Expand your business with the high-quality superwide 104-inch HP Designjet 10000s Printer series. Increase sales with new services and offerings, and increase revenue with media handling tools that enhance productivity and easy-to-use supplies.



1000 ml HP Ink Supplies

## Boost business with high-quality 104-inch signage

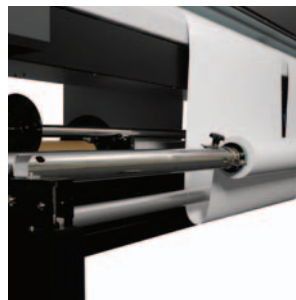
- **Impress customers with new, durable high-quality super wide—104-inch applications.** Increase your application span with extra width and provide more options to customers—attracting a wider customer base and a larger portion of the market.
- **High productivity and printing on uncoated media for lower running costs and greater ROI.** Produce great looking, lasting output on uncoated media and increase the return on your investment. Combine lower running costs with high-power productivity for a very safe, profitable investment.
- **Expand your reach with digital technology—this HP Designjet is your answer to shorter print runs.** This printer has the speed and low running costs that make digital technology not only attractive today but also financially feasible.



HP Super heavy duty take-up reel

## High-power productivity tool

- **Heavy-duty HP printheads and HP supplies for maximum productivity.** Experience high-speed printing with six heavy-duty Piezo printheads that come with 512 nozzles per head for a total of 3,072 nozzles. 1000 ml, HP 790 ink cartridges are designed to meet your usage needs.
- **HP's super heavy duty take-up reel supports rolls weighing up to 242 lbs/110 kg.** Sophisticated media handling with a super heavy duty take-up reel supports 2 preloaded rolls for side-by-side printing. Enhance productivity with the added convenience of long, unattended print runs, and experience greater efficiencies overall.



Dual Roll printing

- **HP Smart printing technology<sup>1</sup> makes HP low-solvent printing supplies easy to use and manage.** Interactive system technology, in HP ink cartridges, printheads, and your printer, optimizes print quality and reliability and monitors ink levels.
- **Dry signs quickly and safely<sup>2</sup> with the easy-to-operate HP Designjet 104 in/264 cm High Speed Dryer.<sup>3</sup>** Add this optional high-speed dryer and accelerate drying time. Combine the dryer with the automatic Take-Up Reel Kit and enable long, unattended print runs at maximum print speeds.

## Super wide, durable signage with vivid colors

- **Wow your clients with high-quality color output that shines brightly.** Create super wide signs, banners, and large graphics with striking, vivid colors that command attention. Sophisticated HP low-solvent ink formulations and printhead technology enable a higher concentration of colorants in the inks to produce a wider gamut of rich, saturated color.<sup>4</sup>
- **HP low-solvent inks<sup>5</sup>—excellent durability without lamination on low-cost, uncoated media.** Designed with the HP Designjet 10000s Printer, HP low-solvent ink formulations produce durable prints that resist fading for up to three years without lamination and are scratch, smear, and crack resistant.<sup>6</sup>
- **Premium image quality—HP printing materials designed with HP low-solvent inks.** With HP Premium Scrim Banner, HP Universal Scrim Banner, HP Premium Backlit Film, HP Blue Back Satin Billboard Paper, HP Satin Canvas, and HP Translucent PVC Display Film, get premium image quality and high opacity.

<sup>1</sup> Using genuine HP supplies ensures availability of all HP printing features

<sup>2</sup> When used appropriately, according to the product's guidelines

<sup>3</sup> This dryer is available as an optional (not included, sold separately) accessory with the HP Designjet 10000s Printer. A dryer is required when printing at high speeds and using the automatic take-up reel to roll up output, and when prints need to be manipulated immediately. This dryer requires a 230 V circuit

<sup>4</sup> Compared to other large-format printers within the same price range. Based on the recognized standard printing mode in the digital print industry—720 dpi with four passes per color—published by manufacturers as of 2006

<sup>5</sup> HP low-solvent inks are defined according to what is currently known in the industry as low-solvent inks.

<sup>6</sup> Image permanence and application durability under typical exposure in vertical display conditions and varies as environmental conditions change

<sup>7</sup> The HP Designjet Air Purifier System is available as an optional (not included, sold separately) accessory with the HP Designjet 10000s Printer

## Safety and support – at HP, your needs come first

- **Have a clean, safe<sup>2</sup> print environment with an integrated air purifier<sup>7</sup> created for HP Designjets.**

This printer-connected system uses a sealed, carbon-activated filter and high-powered fan to filter air at a rate consistent with the print speed and the number of volatile organic compounds released during the printing process.

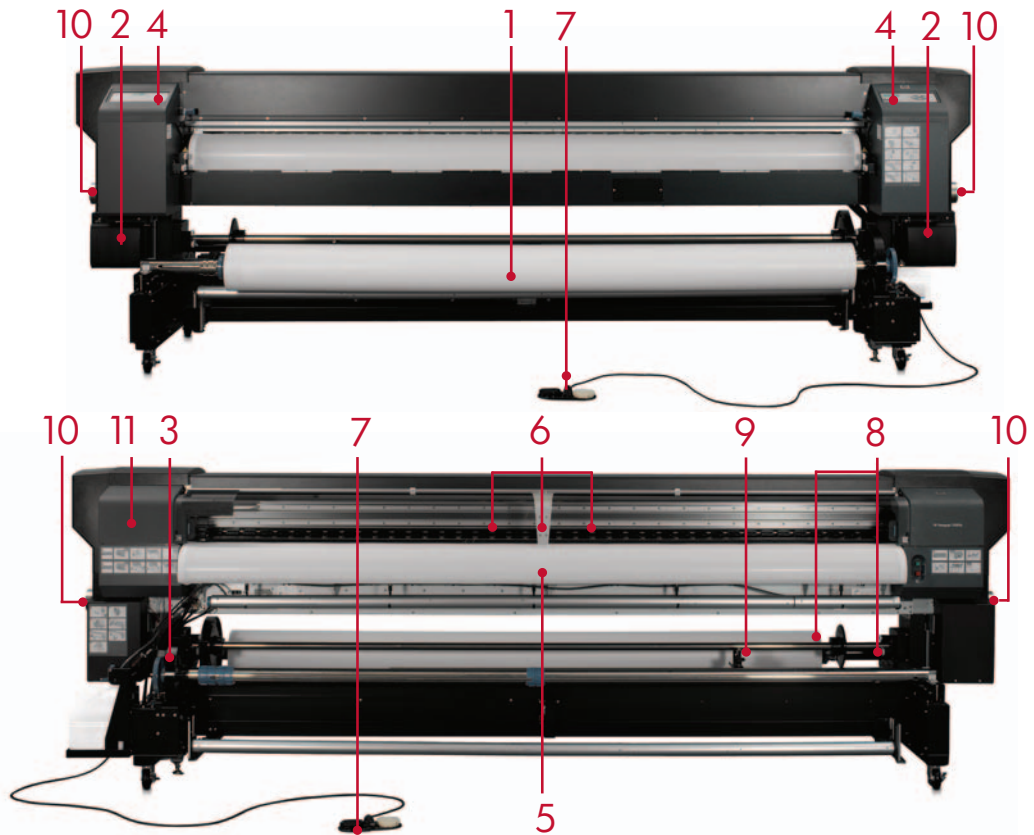
- **HP guidelines help make HP low-solvent ink printing safe, productive, and easy.** Following HP's installation and use guidelines helps you achieve a reliable and productive low-solvent ink printing solution and helps you address environmental, health, and safety questions about printing with HP low-solvent inks. To learn more, visit [www.hp.com/go/ehs](http://www.hp.com/go/ehs).

- **HP offers the cleaning supplies and replacement ink cartridges needed to maintain your system.** HP training and guidelines help you implement environmentally responsible and safe practices for the purchase, installation, operation, handling, and maintenance of HP's low-solvent printing supplies that have been designed together for HP quality and reliability.

- **Experience peace of mind, knowing you're covered with HP's award-winning service and support.** HP's award-winning customer service and support backs every product with a one-year limited warranty; fast, knowledgeable online e-Support available 24/7 at [www.hp.com/support](http://www.hp.com/support); and easy-to-access phone support provided by HP trained agents. Plus, you can enhance your warranty protection with the purchase of affordable HP Care Pack Services.

## HP Designjet 10000s Printer series

1. Up to 104 in/264 cm wide
2. Six HP 790 ink cartridges, 1000 ml each with "hot swap", which allows you to change an ink cartridge without interrupting the print job
3. Heavy-duty HP Take-Up Reel that supports weight up to 242 lbs/110 kg
4. Front panel
5. USB 2.0 Hi-speed connectivity
6. 3 user-controllable integrated heaters
7. Footswitch (x2)
8. Main scroller
9. Sub scroller
10. Exhaust attachments for efficient removal of Volatile Organic Components (VOC) included in the printer box
11. Printhead height adjustable to 2 different positions



### Mesh without Liner Printing

Engineered to reduce mesh printing costs, the HP Designjet 10000s can print directly on to unbacked mesh. The printer uses a special secondary roll-feed which automatically feeds a backing roll of HP Liner material under the mesh to catch unused ink. The HP Liner material roll is sold as an optional accessory, it is not included in the printer box.



### Dual Roll Printing

The Dual-Roll printing feature is ideal for long production runs or to double up print jobs. Dual-Roll printing increases your return on investment by improving your workflow efficiency and saving on cutting costs.



### Double Sided Printing

Print double-sided banners and increase your application span. Minimize your production costs by printing on dual-sided banner material.



The HP Designjet 10000s Printer series, HP low-solvent ink cartridges, and printing material were all designed, engineered and tested together to ensure uncompromising reliability, image quality, durability, performance and ease of use. The total HP printing solution is composed of the following accessories:



HP Designjet 10000s Complete Solution



## HP Designjet Air Purifier System

Put your confidence in HP. Add this air purifier system (APS)—specially designed for HP low-solvent inks—to your HP Designjet printer for highly efficient air filtration. The APS includes the tubes that connect to the printer.

### Count on HP for a clean, safe\* print environment

- Highly effective carbon filter removes hazardous substances released from solvent inks.
- Return cleaned air to the working area or divert it outside. This air purification system is equipped with a standard sealing device, and collected pollutants are led automatically through the filter.

### Easily operate with front-panel display unit

- Access air purification system data through a front-panel display unit.
- Easily replace the filter through the front door on the system.

---

## HP Designjet High Speed Dryer

Add this high-speed dryer to your HP Designjet 9000s Printer and accelerate drying time.

### Improve productivity—dryer reduces drying time

- Dry prints as quickly as the automatic take-up reel can roll them up. With the high-speed dryer and take-up reel, you can complete jobs at a rate of up to 322 ft<sup>2</sup>/hour (29.9 m<sup>2</sup>/hour). The integrated dryer and take-up reel enable unattended print runs.

### Easily operate high-speed dryer

- Completely dry prints with user-adjustable heater and blower unit. Use variable controls on top of the dryer unit to set the heater temperature and to adjust the fan airflow.
- Dryer's off timer allows unattended drying for up to 12 hours

### Count on a dryer that was designed for safety

- Built for high-volume, commercial print environments

---

## Onyx® PosterShop® 7.0 for HP Designjet

Use this Onyx® PosterShop® RIP to print job after job of the best colors your printer can produce. Efficiently manage jobs and handle production with job preflight and printer queue tools.

### Print the colors your customers expect

- Make color changes - to precise spots or entire images - with intuitive color correction tools
- Have CMYK colors pop with PosterColor color rendering

### Print and customize jobs quickly and easily

- Modify jobs and see final layout on your screen before printing with easy-to-use preflight controls technology by Onyx®
- Print directly from your creative applications or from Hot Folders that specify job properties
- Add cut marks to your print jobs easier than ever with this RIP's contour cutting workflow

### Manage media and calibrate your printer as needed

- Use the RIP's default media calibration tables, or add and calibrate your own printing materials

\* When used appropriately, according to the product's guidelines.

# HP Designjet 10000s Printer series—220V

## Technical specifications

<b>Print speed</b>	
High quality	88 ft <sup>2</sup> /h (8.17 m <sup>2</sup> /h), color image on vinyl media
Normal	176 ft <sup>2</sup> /h (16.35 m <sup>2</sup> /h), color image on vinyl media
Draft normal	220 ft <sup>2</sup> /h (20.4 m <sup>2</sup> /h), color image on vinyl media
Fast	322 ft <sup>2</sup> /h (29.9 m <sup>2</sup> /h), color image on vinyl media
Print resolution maximum	720 x 720 dpi
Memory	384 MB
<b>Print margins</b>	
Normal	(Top x bottom x right x left): 0.2 x 0.2 x 0.2 x 0.2 in/5 x 5 x 5 x 5 mm
Using paper edge guard	(Top x bottom x right x left): 0.2 x 0.4 x 0.2 x 0.4 in/5 x 10 x 5 x 10 mm
<b>Media</b>	
Handling	Roll to roll, 2-position support take-up reel
Types	Paper, self-adhesive vinyl, banner, scrim, films, fabrics, mesh
Thickness	0.002 - 0.024 in/0.07 - 0.63 mm
Printhead height	0.826 to 0.102 in/2.1 to 2.6 mm
Maximum width	104 in/2641 mm
Maximum weight	<b>Main scroller:</b> 242 lb/110 kg <b>Sub scroller:</b> 53 lb/24 kg
Maximum external diameter	<b>Main scroller:</b> 10.6 in/270 mm <b>Sub scroller:</b> 6.5 in/165 mm
<b>Printing</b>	
Technology	Piezo-electric inkjet heads
Technology resolution	720 x 720 dpi
Print cartridge colors	Cyan, magenta, yellow, black, light cyan, light magenta
Ink types	HP low-solvent inks
Ink drop	12 pl
Ink cartridge size	1000 ml per color
Nozzles	512 nozzles per head x 6 colors
Maximum print length	160 ft/50 m (RIP dependent)
Print accuracy	± 0.3% or ± 5 mm whichever is larger
<b>Heater</b>	
Integrated	3 independent heating systems
Heater locations	Front, print and rear areas
Heater settable temperature	59 to 131 °F/15 to 55 °C
Interfaces (standard)	USB 2.0 Hi-speed
<b>Dimensions (w x d x h)</b>	
Printer	100 x 33.9 x 47.3 in/2540 x 861 x 1201 mm
Shipping	107 x 40 x 56 in/2720 x 1020 x 1420 mm
<b>Weight</b>	
Printer	838 lb/380 kg
Shipping	1300 lb/600 kg approx.
<b>What's in the box</b>	
HP Designjet 10000s Printer, printheads (6), 1000 ml color cartridges (6), waste bottle (2), take-up reel, media roll, paper tube 104 inch (set of 2), maintenance kit, screwdriver, main scroller grips, main scroller (set of 2), subscroller, tension bar (2 with flanges, 1 without flanges), rubber spacers (A, B and C), tension bar guides (one set), media for adjustment, paper tube flanges (set of 2), tension bar holder (set of 5), shaft stopper (2 sets of 2 parts each), edge guard, footswitch, liner separator, dual roll set, exhaust attachment kit, quick reference guide, maintenance manual, legal document, documentation CD, USB cable, 2 power cords	
<b>Environmental ranges</b>	
Recommended operating temperature	59 to 86 °F/15 to 30 °C
Storage temperature	41 to 95 °F/5 to 35 °C
Recommended humidity range	30 to 70% RH
<b>Acoustic</b>	
Sound pressure, active	60 dB (A)
Sound pressure, standby	45 dB (A)
<b>Power consumption</b>	
Printer active	200 watts
Printer with heater active	1440 watts
Maximum (Printer & Heater)	2300 watts
Power requirements	Printer input voltage: 220 to 240 VAC (+/-10%), 50/60 Hz +/- 1 Hz, 2 amp 220-240 VAC (+/-10%), 50/60 Hz (+/- 1 Hz), 8 amp
<b>Certification</b>	
Safety certification	Compliant with IEC 60950, including EU LVD and EN60950, CSA certified for US and Canada, Russia VNIIS
Electromagnetic certification	Compliant with Class A requirements including EU (EMC Directive), USA (FCC rules), Canada (DoC), Australia (ACA), New Zealand (MoCO), Korea (MIC)
Environmental certification	WEEE, ROHS
<b>Warranty</b>	
Printer	One year system warranty
Printheads	One year warranty
<b>Service and support</b>	
<b>HP Care Pack Services</b>	UF279E HP 2-Year Next Business Day Onsite HP Designjet 10000s Hardware Support UE703E HP 3-Year Next Business Day Onsite HP Designjet 10000s Hardware Support UE712PE HP 1-Year Post-Warranty Next Business Day Onsite HP Designjet 10000s Support UD628PE HP 1-Year Post-Warranty Technical Phone Support Service

## Accessories—technical specifications

<b>HP Designjet Air Purifier System—What's in the box</b>	
HP Designjet Air Purifier unit with 2 filter elements inside, APS printer connection set, user's guide, power cord in compliance with regional power	
<b>Product weight</b>	209 lb/95 kg plus tube connections
<b>Package weight</b>	253 lb/115 kg
<b>Package dimensions</b>	14.3 x 31.5 x 31.3 in 365 x 801 x 797 mm
<b>Product dimensions</b>	22.4 x 35.4 x 44.8 in 570 x 900 x 1140 mm
<b>Power consumption</b>	1600 watts
<b>Fan power</b>	12713 ft <sup>2</sup> /hr (360 m <sup>2</sup> /hr)
<b>HP Designjet High Speed Dryer—What's in the box</b>	
Dryer unit, support stay, foot with castor (2), stand (2), M5 x 12L hexagon socket head bolt (16), hexagon bar wrench, user's guide, power cord in compliance with regional power	
<b>Product weight</b>	132.3 lb/60 kg
<b>Package weight</b>	194 lb/88 kg approx.
<b>Product dimensions</b>	130.3 x 24 x 34.25 in 3310 x 610 x 870 mm
<b>Package dimensions</b>	133.86 x 18.98 x 11.81 in 3400 x 482 x 300 mm
<b>Power consumption</b>	3300 watts
<b>Minimum PC operating system requirements for the Onyx® PosterShop® 7.0 for HP Designjet</b>	
Windows XP Pro with latest SP, Windows 2000 Pro with latest SP, Intel Pentium 3 or higher, Athlon, 2.5 GHz or higher, Dual CPC for multiple RFPs, one 80 GB Hard Drive (preferably two 80 GB Hard Drives for optimal performance), 1 GB RAM per CPU, 1280 x 768 16 bit color display, one USB Port required for security key, DVD-ROM drive	

### Ordering information

<b>Product</b>	HP Designjet 10000s Printer - 220V
<b>Accessories</b>	
Q6694A	HP Designjet High Speed Dryer - 104 in/264 cm
Q6668F	HP Designjet Air Purifier System 110V
Q6710A	HP Designjet Air Purifier System Filter
Q6696A	Liner for HP Designjet
Q6669B	Onyx® PosterShop® 7.0 for HP Designjet

### Ink supplies

#### Cartridges

CB271A	HP 790 Black Ink Cartridge, 1000 ml
CB272A	HP 790 Cyan Ink Cartridge, 1000 ml
CB273A	HP 790 Magenta Ink Cartridge, 1000 ml
CB274A	HP 790 Yellow Ink Cartridge, 1000 ml
CB275A	HP 790 Light Ink Cartridge, 1000 ml
CB276A	HP Light Magenta Ink Cartridge, 1000 ml

#### Waste Ink Bottle

CB299A	HP 790 Waste Ink Bottle
--------	-------------------------

#### Maintenance Kits

CB293A	HP 790 Wiper Cleaning Kit
CB294A	HP 790 Cap Cleaning Kit
CB296A	HP 790 Ink System Cleaning Kit
CB297A	HP 790 Ink System Storage Kit

#### Media supplies

Q8680A	HP Universal Scrim Banner 36 in x 164 ft/914 mm x 50 m
Q8681A	HP Universal Scrim Banner 54 in x 100 ft/1372 mm x 30.5 m
Q8775A	HP Universal Scrim Banner 64 in x 100 ft/1626 mm x 30.5 m
Q8682A	HP Premium Self-adhesive Vinyl 54 in x 150 ft/1372 mm x 45.7 m
Q8683A	HP Premium Self-adhesive Vinyl 60 in x 150 ft/1524 mm x 45.7 m
Q8684A	HP Premium Backlit Film 36 in x 66 ft/914 mm x 20.1 m
Q8685A	HP Premium Backlit Film 54 in x 66 ft/1372 mm x 20.1 m
Q8686A	HP Universal Photo-realistic Paper 36 in x 150 ft/914 mm x 45.7 m
Q8687A	HP Universal Photo-realistic Paper 54 in x 150 ft/1372 mm x 45.7 m
Q8782A	HP Blue Back Satin Billboard Paper 54 in x 200 ft/1372 mm x 61 m
Q8832A	HP Blue Back Satin Billboard Paper 64 in x 200 ft/1626 mm x 61 m
Q8838A	HP Satin Canvas 36 in x 49 ft/914 mm x 14.9 m
Q8783A	HP Satin Canvas 54 in x 49 ft/1372 mm x 14.9 m
Q8833A	HP Satin Canvas 60 in x 49 ft/1524 mm x 14.9 m
Q8781A	HP Translucent PVC Display Film 36 in x 100 ft/914 mm x 30.5 m
Q8830A	HP Translucent PVC Display Film 54 in x 100 ft/1372 mm x 30.5 m
Q8831A	HP Translucent PVC Display Film 60 in x 100 ft/1524 mm x 30.5 m

More HP media sizes available at [www.hp.com/go/designjet/supplies](http://www.hp.com/go/designjet/supplies)

© 2007 Hewlett-Packard Development Company, L.P. The information contained herein is subject to change without notice. The only warranties for HP products and services are set forth in the express warranty statements accompanying such products and services. Nothing herein should be construed as constituting an additional warranty. HP shall not be liable for technical or editorial errors or omissions contained herein. Microsoft and Windows are U.S. registered trademarks of Microsoft Corporation.

For more information, visit our website at  
[www.hp.com/go/designjet10000s](http://www.hp.com/go/designjet10000s)

